

VACLOK[®] SYRINGE

INSTRUCTIONS FOR USE

PRODUCT DESCRIPTION:

A vacuum pressure syringe.

INDICATIONS AND USAGE:

The VacLok Syringe is intended to be used by a cardiologist or radiologist during angiographic or radiologic procedures.

CAUTIONS:

- Read instructions prior to use.
- **Rx Only - Caution:** Federal (USA) law restricts this device to sale by or on the order of a physician.
- This device is intended for single use only. Do not reuse or resterilize.
- This device is sterile and non-pyrogenic.

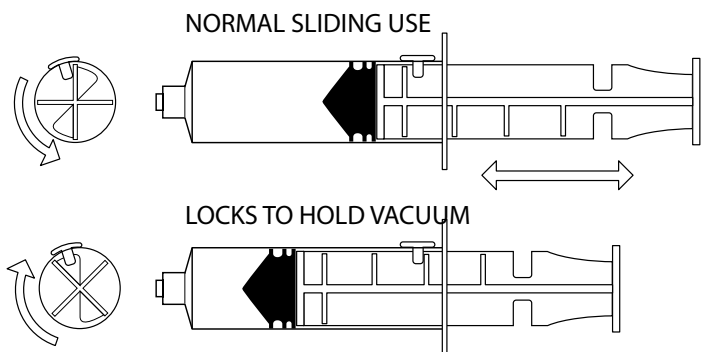
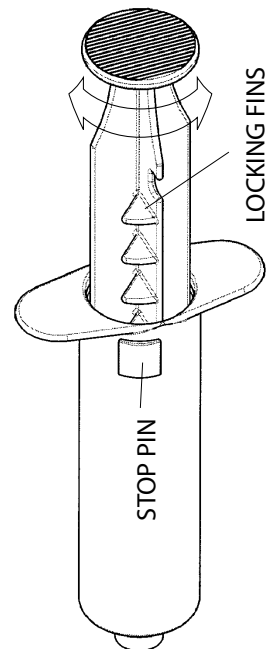
REUSE PRECAUTION STATEMENT

For single patient use only. Do not reuse, reprocess or resterilize. Reuse, reprocessing or resterilization may compromise the structural integrity of the device and/or lead to device failure which, in turn, may result in patient injury, illness or death. Reuse, reprocessing or resterilization may also create a risk of contamination of the device and/or cause patient infection or cross-infection, including, but not limited to, the transmission of infectious disease(s) from one patient to another. Contamination of the device may lead to injury, illness or death of the patient.

INSTRUCTIONS FOR USE:

Inspect the device prior to use to verify that no damage has occurred during shipping.

1. To setup the syringe to lock, move the plunger completely forward or completely back and turn the plunger so that the locking fins can engage the stop pin.
2. To create and maintain vacuum, withdraw the syringe plunger to the desired position and rotate the plunger clockwise to position one of the locking fins behind the stop pin.
3. Turn the plunger counterclockwise to release.
4. To aspirate fluids without locking the syringe, move the plunger completely forward or completely back, turn the plunger so that the locking fins will not interfere with the stop pin.



Device is sterilized as stated on the package label.

Accuracy = $\pm 4\%$



Manufacturer: Merit Medical Systems, Inc. South Jordan, Utah 84095
U.S.A. 1-801-253-1600 U.S.A. Customer Service 1-800-356-3748

www.merit.com

EC REP Authorized Representative: Merit Medical Ireland Ltd, Parkmore Business Park West, Galway, Ireland

ID 041211 400628003/A